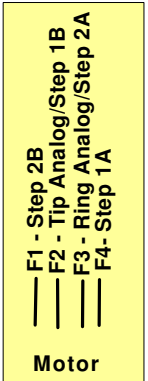
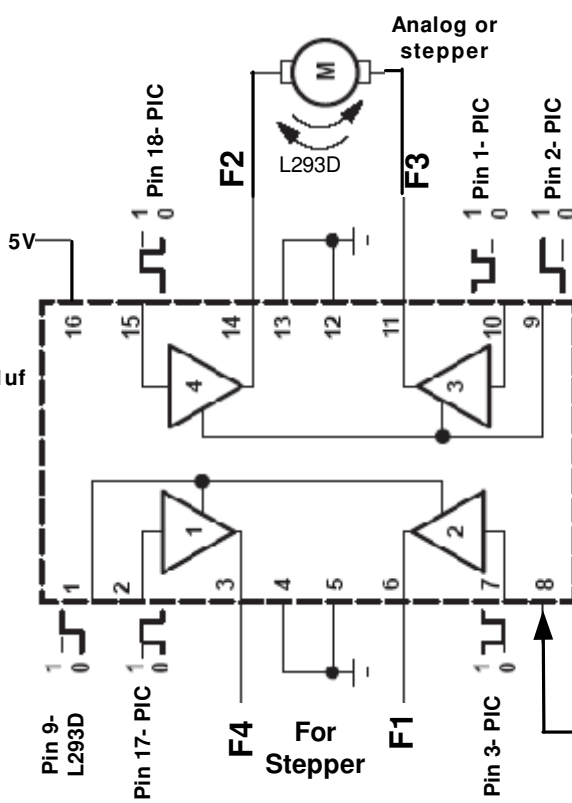
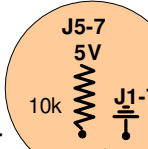


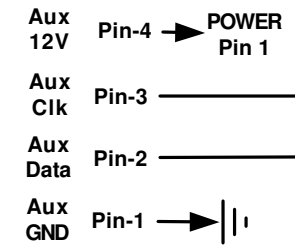
Bypass caps:
Use 0.01uf cap
Use 10uf cap PIC Vdd to ground
Use 100uf cap L293d pin 8 to ground



12V Power - Pin 2/3



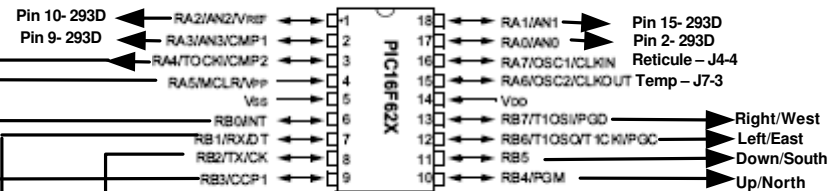
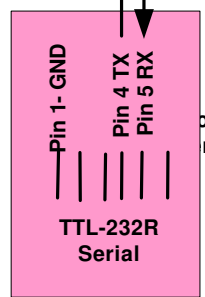
5V = stepper
GND = Analog



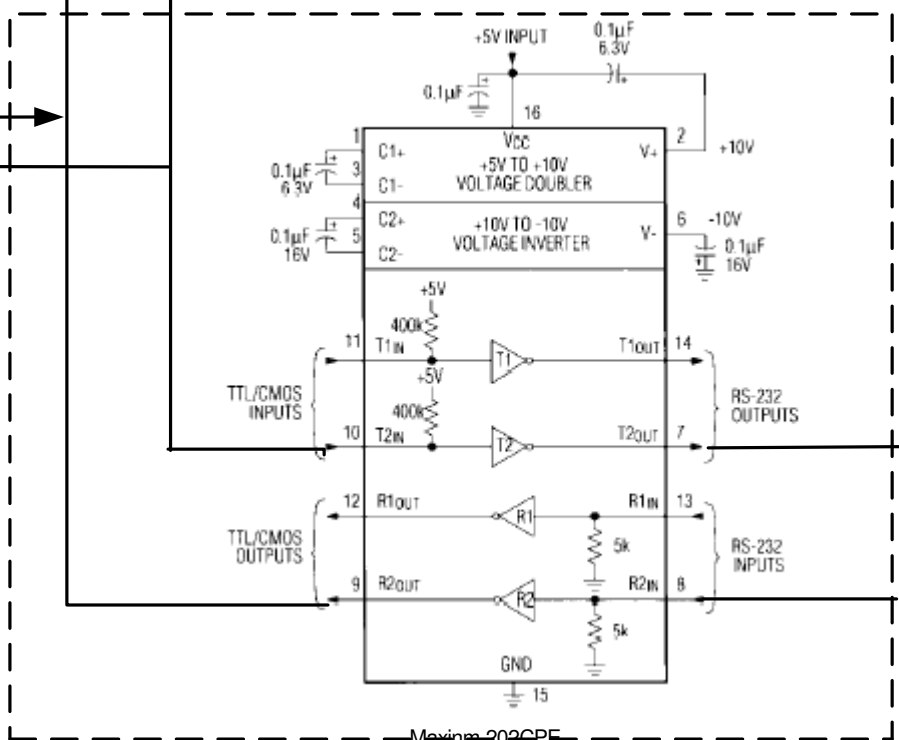
Left to right looking into the connector on scope

TTL Serial Pin 4

TTL Serial Pin 5



ST4 Guider Port
Pin 1 - NC
Pin 2 - GND
Pin 3 - East/Left
Pin 4 - South/Down
Pin 5 - North/Up
Pin 6 - West/Right
Left to right looking into the connector on scope



DB9-Pin3

DB9-Pin2

Maxim 202CPE