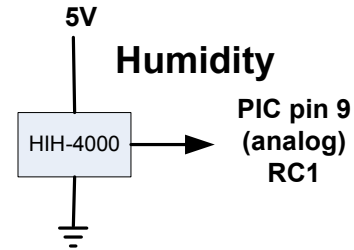
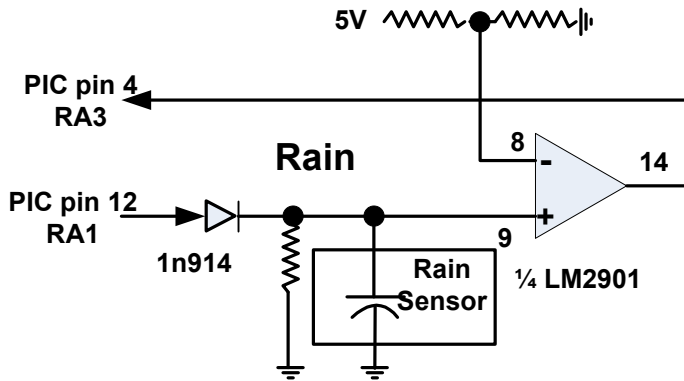
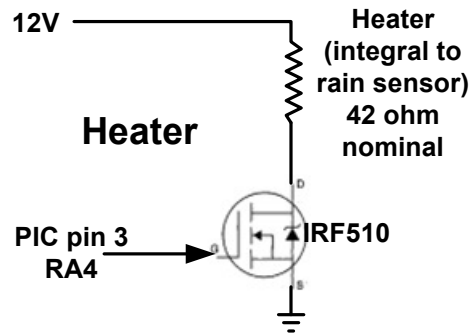
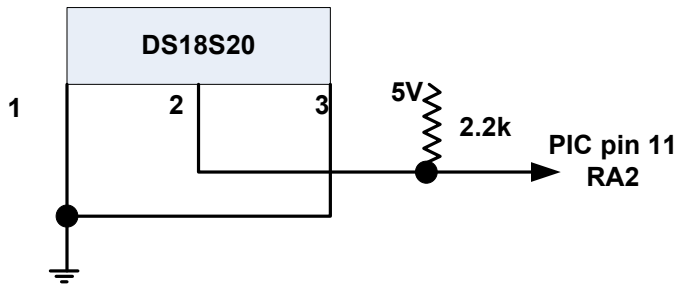
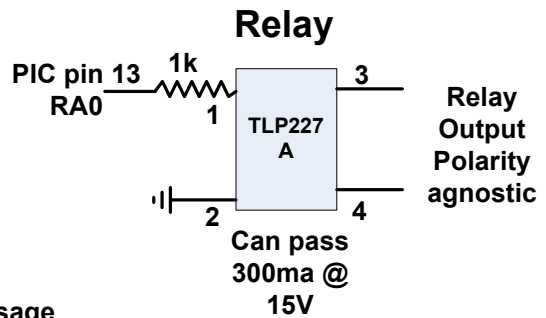
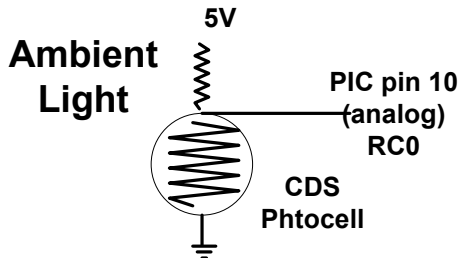
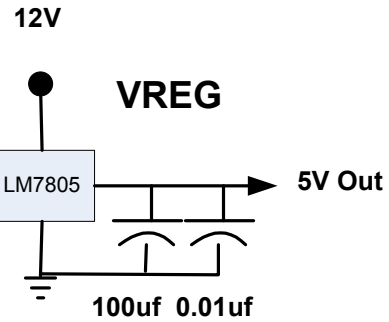
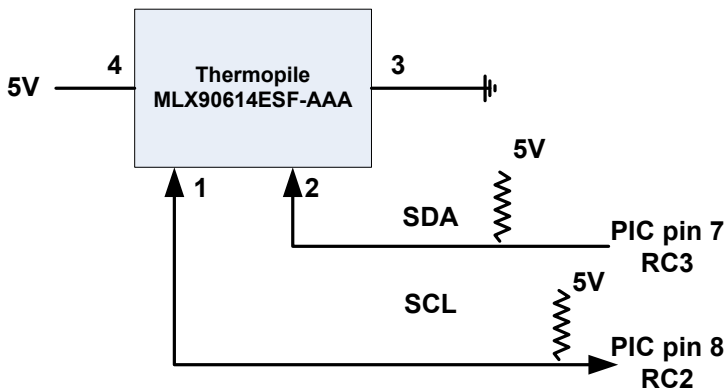


# GC Weather Sensors

## Ambient Temperature



## Thermopile



- PIC pin usage**
- RA0 – Relay output digital
  - RA1 – Rain sensor output digital
  - RA2 – Ambient temp digital
  - RA3 – Rain sensor input digital
  - RA4 – Realy output digital
  - RA5 – Timer 1 clock, wind sensor
  - RC0 – Ambient light analog
  - RC1 – Humidity analog
  - RC2 – Thermpile Clk digital
  - RC3 – Thermopile Data digital
  - RC4 – Serial TX
  - RC5 – Serial RX